

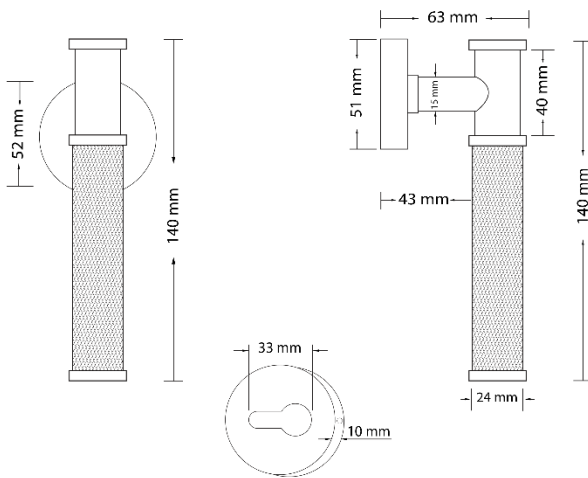
TECHNICAL DATA SHEET

Collection Name
STELLA-WATER RIPPLE



Specifications

Brand	CinCinno
Range	Stella Water Ripple
Product code	BRGPXX3026
Finish/Color	Gold Plated
Product type	Door Handle
Material	Solid Brass
Inner Part Material	Zinc Alloy
Configuration	Door Handle + Escutcheon



Technical Information

Lock Body Type	4558, 5072, 5572
Lock Core	70mm
Weight (NW KG.)	0.485 KG. (± 0.001)
Decorative Cover	51.7*10mm
Handle Grip	Soft
Door Thickness	40-50MM

For more information, please visit our website: CinCinno-me.com
 United Arab Emirates: Marina, Marina Plaza Tower, Office 1506