

TECHNICAL DATA SHEET

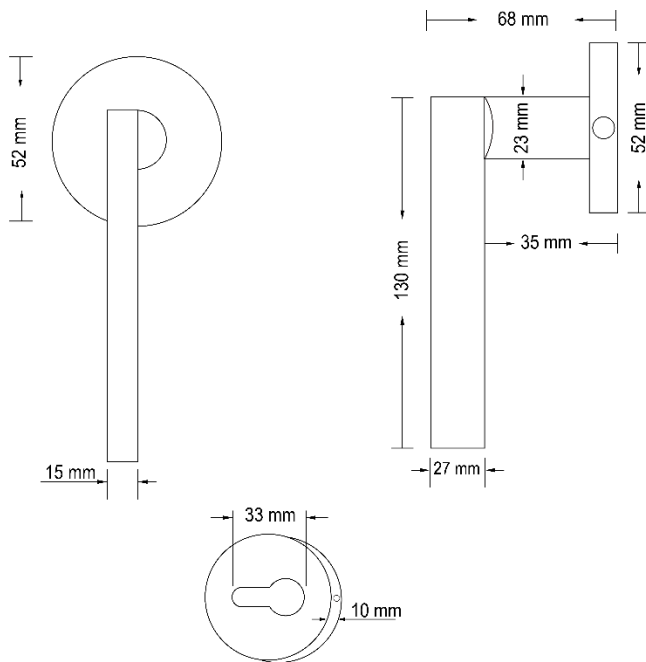
Collection Name

SARA



Specifications

Brand	CinCinno
Range	Sara
Product code	ZNCPXX3046 ZNGMGX3047 ZNBYBX3048
Finish/Color	Chrome Plated, Gun Metal Grey, Brushed Yellow bronze.
Product type	Door Handle
Material	Zinc
Inner Part Material	Stainless Steel & Zinc
Configuration	Door Handle + Escutcheon



Technical Information

Lock Body Type	4558, 5072, 5572
Lock Core	70mm
Weight (NW KG.)	0.374-0.385KG. (± 0.001)
Decorative Cover	52*10mm
Handle Grip	Soft
Door Thickness	40-50MM

For more information, please visit our website: CinCinno-me.com
 United Arab Emirates: Marina, Marina Plaza Tower, Office 1506