

TECHNICAL DATA SHEET

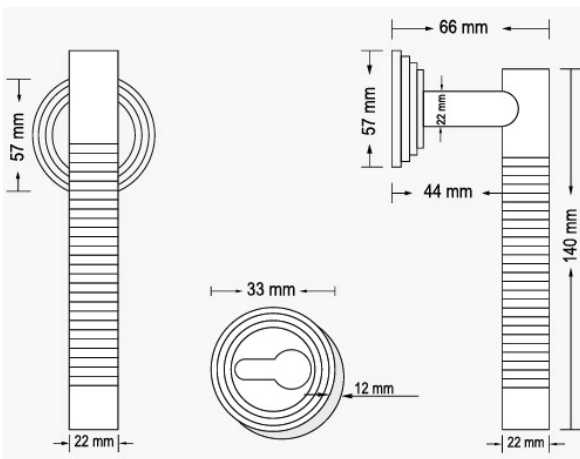
Collection Name

PAX



Specifications

Brand	CinCinno
Range	PAX
Product code	BRMBXX3028.
Finish/Color	Matt Black
Product type	Door Handle
Material	Solid Brass
Inner Part Material	Zinc Alloy
Configuration	Door Handle + Escutcheon



Technical Information

Lock Body Type	4558, 5072, 5572
Lock Core	70mm
Weight (NW KG.)	0.400KG. (± 0.001)
Decorative Cover	57*12mm
Handle Grip	Soft
Door Thickness	40-50MM

For more information, please visit our website: CinCinno-me.com
 United Arab Emirates: Marina, Marina Plaza Tower, Office 1506