

# TECHNICAL DATA SHEET

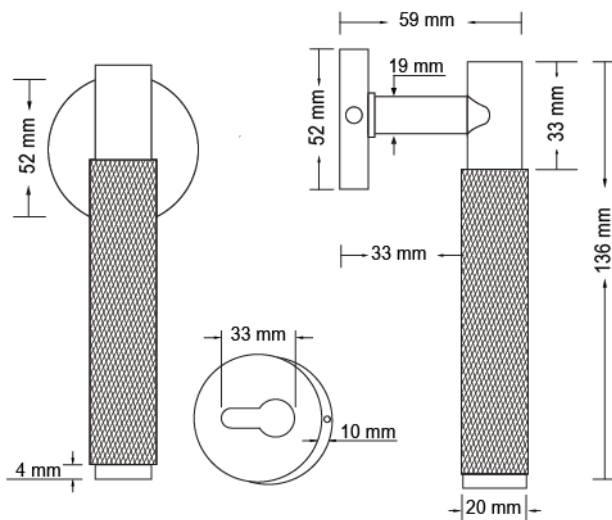
Collection Name

**LAVITAS**

## Specifications



Brand	CinCinno
Range	Lavitas
Product code	ALGMGX3069, ALMBXX3070, ALSXX3071, ALRGXX3072, ALBNBX3073
Finish/Color	Gun Metal Grey, Matt Black, Satin Nickle, Rose Gold, Brushed Natural Brass.
Product type	Door Handle
Material	Aluminum
Inner Part Material	Stainless Steel & Zinc
Configuration	Door Handle + Escutcheon



## Technical Information

Lock Body Type	4558, 5072, 5572
Lock Core	70mm
Weight (NW KG.)	0.166- 0.188 KG. (± 0.001)
Decorative Cover	52*10mm
Handle Grip	Fine Knurled
Door Thickness	40-50MM

For more information, please visit our website: [CinCinno-me.com](http://CinCinno-me.com)  
United Arab Emirates: Marina, Marina Plaza Tower, Office 1506