

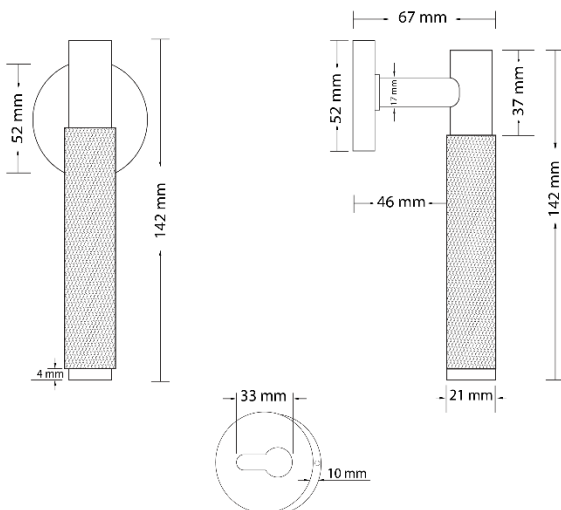
# TECHNICAL DATA SHEET

Collection Name  
**AURORA-WATER RIPPLE**

## Specifications



Brand	CinCinno
Range	Aurora Water Ripple
Product code	BRMBCPX3035, BRMBGPX3036
Finish/Color	Matt Black/Chrome Plated Matt Black/Gold Plated
Product type	Door Handle
Material	Solid Brass
Inner Part Material	Zinc Alloy
Configuration	Door Handle + Escutcheon



## Technical Information

Lock Body Type	4558, 5072, 5572
Lock Core	70mm
Weight (NW KG.)	0.532-0.545 KG. (± 0.001)
Decorative Cover	52*10mm
Handle Grip	Soft
Door Thickness	40-50MM

For more information, please visit our website: [CinCinno-me.com](http://CinCinno-me.com)  
United Arab Emirates: Marina, Marina Plaza Tower, Office 1506